

EN

UT6030 / UT6031 / UT6032

(7.7 x 25 mm accessory rail)

(9 x 25 mm accessory rail)

(10 x 25 mm accessory rail)

An Expanded Design
for an Increased Protection Zone



MAVIG

UT6030 / UT6031 / UT6032

(7.7 x 25 mm accessory rail)

(9 x 25 mm accessory rail)

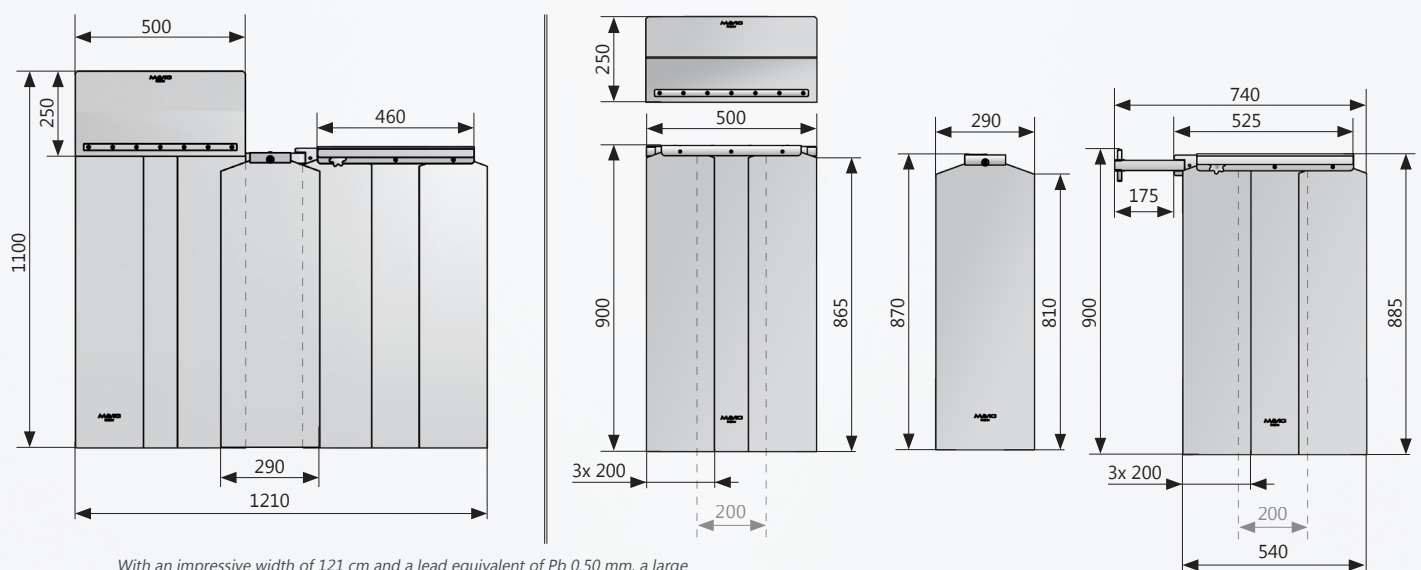
(10 x 25 mm accessory rail)

Table-mounted shields for lower scattered radiation is an indispensable safety tool for the physician and staff. Such shields have long been an established standard in interventional radiology.

Solid X-Ray Protection Systems

For decades, MAVIG has been the first choice for table-mounted radiation protection. The high-quality and durable shields are optimally designed for every day clinical use. They offer maximum protection and full flexibility.

Our life cycle testing ensures 100% quality for all delivered products. MAVIG table-mounted protection systems are CE marked and MAVIG is ISO EN 13485 certified by TÜV Product Service.



With an impressive width of 121 cm and a lead equivalent of Pb 0.50 mm, a large protective zone is created for the personnel on the respective table side.

Expanded Protection Zone

In order to provide a considerably larger zone of protection from scattered radiation for the physician and staff, MAVIG has expanded its globally successful and proven UT60 series.

- Individual soft lead rubber panels for better movement of the C-arm, higher doctor comfort, and easier part replacement
- Lower sway panels self-adjust to table inclinations of up to 15°
- Includes an upper shield for the 500 mm wide lower shield section
- Double joint adapter with additional protective panel for increased flexibility and enhanced positioning
- Fitted with MAVIG's universal adapter that can be mounted to table rails ranging from 7 x 25 mm to 10 x 30 mm
- 460 mm long accessories rail (UT6030: 7.7 x 25 mm, UT6031: 9 x 25 mm, or UT6032: 10 x 25 mm) for mounting additional devices such as control panels up to a max. weight of 15.0 kg
- Solid construction and rounded edges reduce the risk of injuries
- Optimized design for thorough and time saving cleaning/disinfection
- All protective shields have a lead equivalent of Pb 0.50 mm
- Includes 2 wall mounts for the upper shield and 500 mm wide lower shield



Lower sway panels