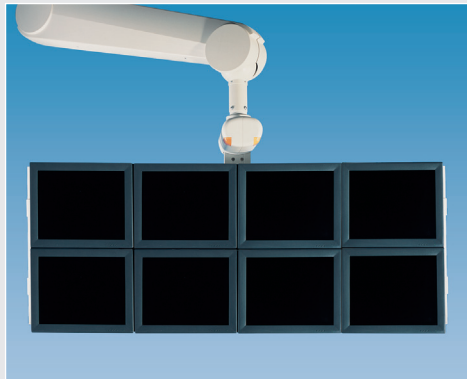
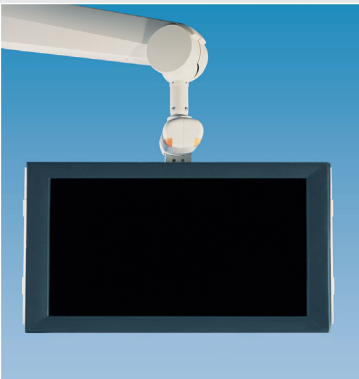


GD60

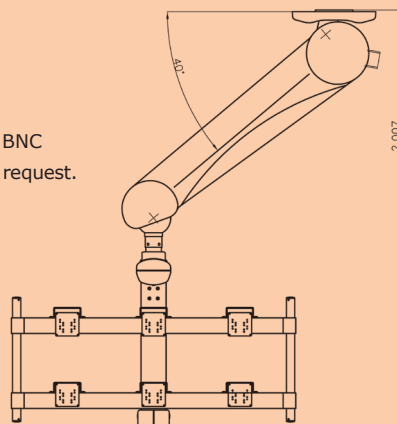
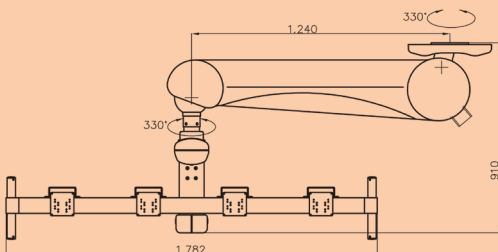


Article-Code: GD60W

Monitor Suspension System – Model GD60

There is no surprise why the GD60 is the industry's go to monitor suspension system. Designed for heavy loads, the GD60 is a perfect solution for multiple monitors or large screen displays. Our patented cardanic joint allows for friction free operation, automatic weight balancing, and collision safety.

- Stationary and ceiling track models
- Supports 1 - 8 monitors
- Compatible with large screen monitors up to 56"
- Weight capacity of up to 73 kg / 160.9 lbs
- Cardanic joint for smooth and collision safe performance
- Full internal cabling: All models come with 30 m of power and BNC cabling for each monitor as standard, or with other cabling upon request.



MAVIG GmbH
X-Ray Protection
& System Solutions

Stahlgruberring 5
81829 Munich
Germany

PO Box 82 03 62
81803 Munich
Germany

Phone: +49 (0) 89 / 420 96 - 0
Fax: +49 (0) 89 / 420 96 - 200
e-Mail: info@mavig.com

www.mavig.com